

- **8 or 16 Inputs**
- **Sinking or Sourcing Configuration**
- **Rated for 3.5 mA @ 24 VDC**
- **Inputs are Opto-isolated**
- **LED Display to Monitor Running Conditions**
- **Easy Maintenance and Installation**



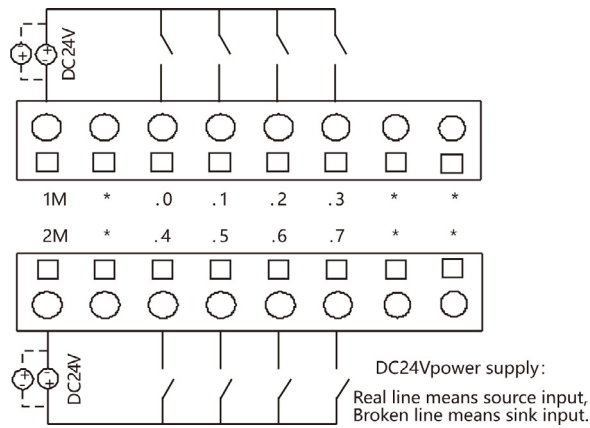
The K621 series of Discrete Input Expansion Modules are offered with either 8 or 16 inputs. These modules are attached to the K6 CPUs to expand beyond the onboard inputs. The K6 CPU series can handle up to 264 I/O points with a maximum of 14 expansion modules. If a user were to select the K6, equipped with 40 I/O points, and an additional 14 K621-16DX units, the user would achieve the maximum 264 I/O points within the constraint of 6 expansion modules. The K621-__DX modules come with the option to either sink or source the inputs; each input is rated for 3.5 mA. All modules are opto-isolated so units are not damaged.

Parameter	K621-08DX	K621-16DX
Input Points	8	16
Input Type	Sinking or Sourcing	
Input Voltage	Rated: 24 VDC; Maximum: 30 VDC	
Rated Input Current	3.5 mA @ 24 VDC	
Discrete Input Voltage of Logic "1"	Normal Input: 11 VDC @ 2.0 mA High-Speed Input: 18 VDC @ 2.5 mA	
Discrete Input Voltage of Logic "0"	5 VDC @ 0.7 mA	
Input Delay	Normal Input: 12 µs; High-Speed Input: 8 µs Normal Input: 40 µs; High-Speed Input: 12 µs	
Isolation	Mode: Opto-Isolated Between Input and Internal Circuit Voltage: 500 VAC / 1 Min	
Signal Identification	Separate LED Indicators for Each Channel	
Module Width	50 mm	75 mm

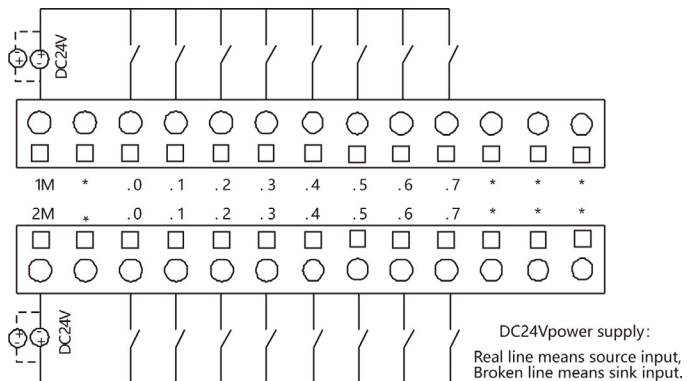
L011981



K621-08DX

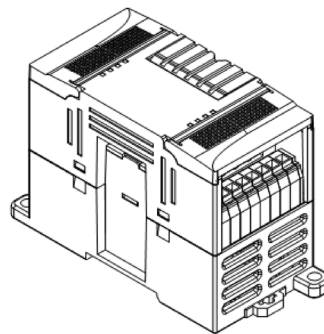
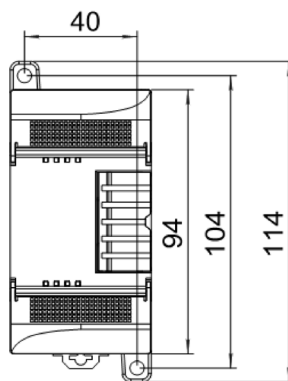
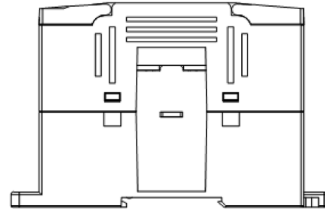
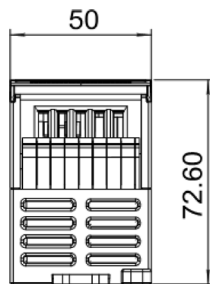


K621-16DX

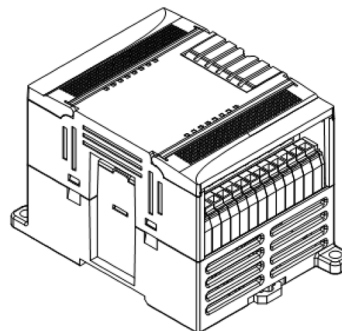
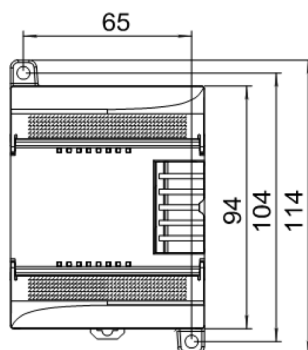
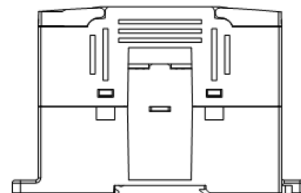
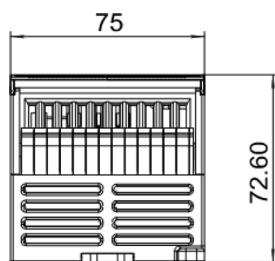


L011981

K621-08DX



K621-16DX



Units are in mm